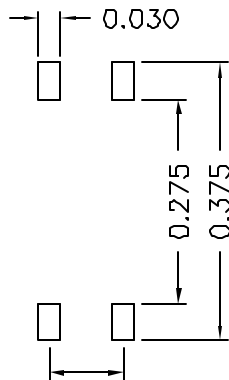
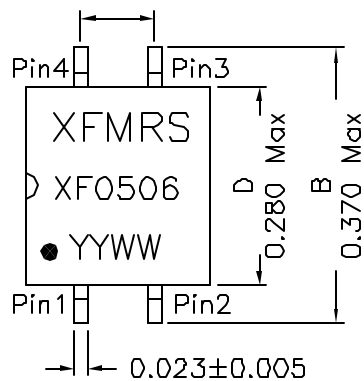
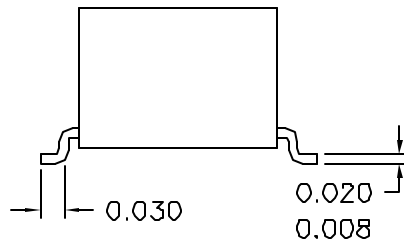
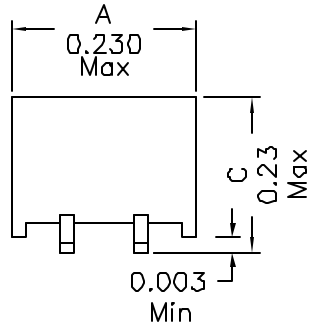


1. Dimensions:

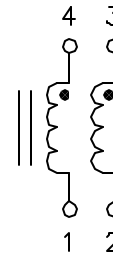


Notes:

1. Solderability: Leads shall meet MIL-STD-202G, Method 208H for solderability.
2. Flammability: UL94V-0
3. ASTM oxygen index: > 28%
4. Insulation System: Class F 155°C. UL file E151556
5. Operating Temperature Range: All listed parameters are to be within tolerance from -40°C to +85°C
6. Storage Temperature Range: -55°C to +125°C
7. Aqueous wash compatible
8. SMD Lead Coplanarity: ±0.004*(0.102mm)
9. Electrical and mechanical specifications 100% tested
10. RoHS Compliant Component

DOC. REV: A/2

2. Schematic:



3. Electrical Specifications

OCL: 50uH Min @10KHz, 0.1V Each Wdg.

LL: P4-1 1uH Max @100KHz, 0.1V Short P3-2

DC Res.: 1.80 Ohms Max each wdg.

Rated Current: 0.1Aac

Turns Ratio: 4-1:3-2 = 1:1

Isolation: 500Vrms for 2 Seconds

XFMRs Inc www.XFMRs.com		Title: Common Mode Choke	
UNLESS OTHERWISE SPECIFIED TOLERANCES: .xxx ±0.010 Dimensions in Inch		P/N: XF0506-00SM	REV A
		DWN.	李小锋 Jan-29-07
Scale 2.5:1 SHT 1 OF 1		CHK.	康玉坤 Jan-29-07
		APP.	BW Jan-29-07

PROPRIETARY

Document is the property of XFMRs Group & is not allowed to be duplicated without authorization.